

P100

Doseringspump

P100MSTSSA20C PUMP WITH GEARBOX AND BASEPLATE



HYDRA-CELL®
 SEAL-LESS PUMP TECHNOLOGIES

- Flöde 0,3 - 85 l/h
- Tryck max. 103 bar
- Plast eller metallutförande
- Tätningslös och klarar torrkörning



Produktinformation

Wanner HydraCell är en serie mycket robusta membranpumpar speciellt lämpade för dosering även vid höga tryck och svåra pumpmedier, som också kan vara slitande.

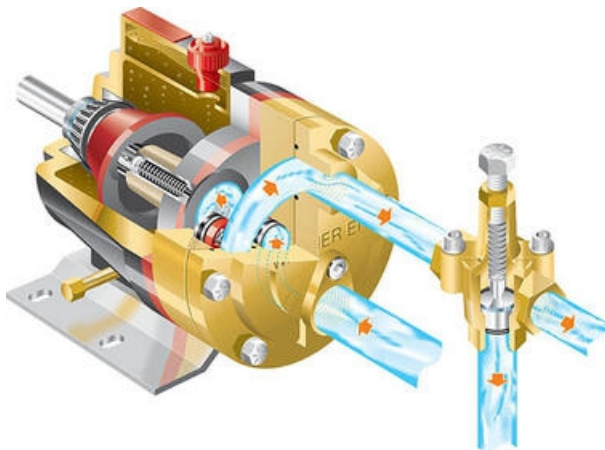
Pumparna har ingen genomgående axel med tätningar och mediet kommer aldrig i kontakt med mekanismen.

Membranen är avlastade med jämnt tryck över hela ytan, vilket ger dem mycket lång livslängd.

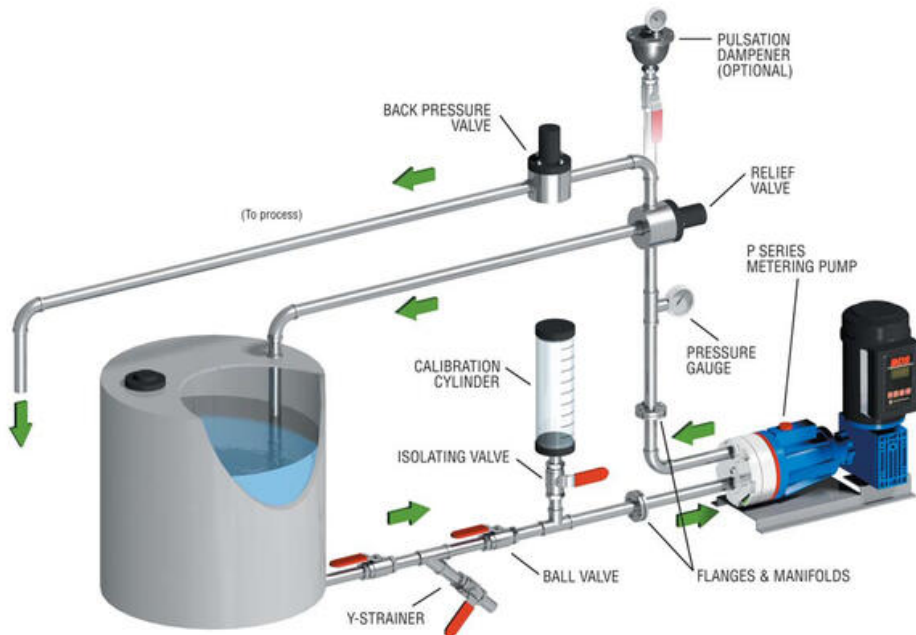
HydraCell-pumparna som arbetar enligt förträngningsprincipen, är självsugande, energisnåla och torrkörningssäkra.

Hydra-Cell pumparna möter de flesta och överträffar flera av kraven i standarden för doseringspumpar API 675.

De finns i många olika materialkombinationer och går även att få i ATEX-utförande för explosionsfarlig miljö.



Exempel på installation



Pumphus	Mässing, 316L, Hastelloy C, Polypropylen, Kynar
Membran O-ringar	Aflas, EPDM, FKM, PTFE, Neoprene, Buna-N
Ventilsäten	316L, Hastelloy C, Keramik
Ventiler	316L, Nitronic 50, Hastelloy C, Keramik
Fjäder	Elgiloy, Hastelloy C
Fjäderhållare	Hastelloy C, Polypropylen, PVDF
Flöde	0,3 - 85 l/h
Tryck metallutförande	Max. 103 bar
Tryck plastutförande	Polypropylen Max. 17 bar, Kynar Max. 24 bar
Inloppstryck	Max. 17 bar
Temperatur*	Max. +120 °C (Beroende på materialval m.m.)*
Partikelstorlek	Max. 0,2 mm
Viskositet**	Max. 1000 cP (Beroende på installation och varvtal)**
Kel-Cell	Nej
Anslutningar (In/Ut)	1/2" BSPT / 3/8" BSPT (NPT eller flänsar på förfrågan)
Rotationsriktning	Valfri
Oljevolym hydrauldel	0,12 l
Vikt metallutförande	8,4 kg
Vikt plastutförande	7,4 kg

* För applikationer där temperaturen går under +10 eller över +80°C kontakta oss.

** Vid viskositeter över 500 cP kontakta oss.

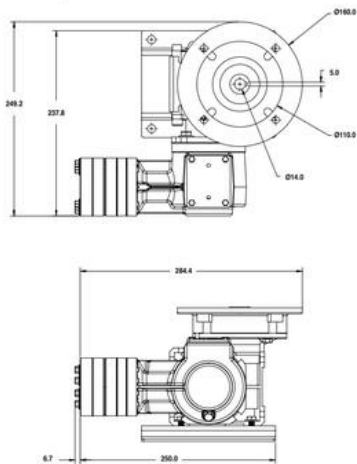
;

Teknisk data

Particle size	Max. 0,2mm mm
Vikt	8,4 kg
Material Membran	Buna-N
Rotation	Valfri
Material Ventilfjädrar	Elgiloy
Axeldimension	Hållaxel 14 mm
Temperaturområde till	80 °C
Olja	Livsmedelsolja H1 (K)
Material Ventilsäten	SS 316
Tryck max	24 bar
Viskositet max	1000 cP
Utväxling	20:1 - IEC 71-B5
Flöde max	0,16 l/min
Anslutning utlopp	3/8" BSPT
Material Ventiler	Nitronic 50
Systemtryck max	17 bar
Material Bottenplatta	Epoxylackerat stål
Oljevolym Hydrauldel	0,12 l
Anslutning inlopp	1/2" BSPT
Material Fjäderhållare	Hastelloy C
Material Pumphus	PVDF

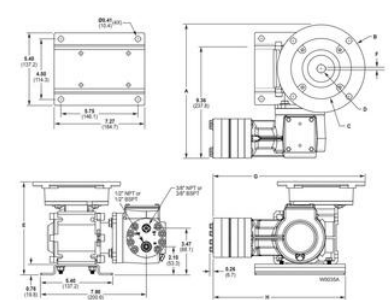
Representative Drawings (mm)

Metallic Pump Heads



P100 Dimensions

P100 Models: Metallic and Non-Metallic



Input Frame Size	Dimensions in Inches (Millimeters)									
	A	B	C	D	E	F (Shaft Key)	G (Shaft Key)	H (Shaft Key)	I (Shaft Key)	J (Shaft Key)
NEMA 56C	8.90 (225.2)	10.5 (266.7)	12.1 (307.3)	13.7 (348.0)	15.2 (386.1)	0.187 (4.75)	0.187 (4.75)	0.187 (4.75)	0.187 (4.75)	0.187 (4.75)
IEC 63.85	8.92 (227.0)	10.52 (267.1)	12.12 (307.9)	13.72 (349.0)	15.22 (387.1)	0.187 (4.75)	0.187 (4.75)	0.187 (4.75)	0.187 (4.75)	0.187 (4.75)
IEC 71.85	9.01 (229.3)	10.61 (269.4)	12.21 (310.0)	13.81 (350.0)	15.31 (392.5)	0.187 (4.75)	0.187 (4.75)	0.187 (4.75)	0.187 (4.75)	0.187 (4.75)

Performance - Flow Capacities and Pressure Ratings

For Synchronous Speed, Self-cooled Motors

L/hr Maximum Flow at Designated Pressure

L/hr All Pumps 7 Bar	L/hr Metallic Pump Heads Only 3 Bar				Pump RPM	Gear Ratio	Motor RPM
	5.4	5.4	5.3	5.2			
5.4	5.4	5.3	5.2	N/A	25	60:1	
4.1	4.1	4.0	3.9	N/A	30	50:1	
5.1	5.1	5.1	4.8	4.7	37.5	40:1	
5.9	5.9	5.8	5.5	5.3	50	30:1	
8.3	8.3	8.1	7.8	7.6	60	25:1	
10.5	10.4	10.2	9.8	9.5	75	20:1	
14.0	13.9	13.6	13.1	12.7	100	15:1	
21.1	20.9	20.4	19.6	19.1	150	10:1	
28.2	27.9	27.1	26.2	25.5	200	7.5:1	
42.4	41.9	41.0	39.4	38.3	300	5:1	
56.8	55.9	54.6	52.5	51.1	400	3.5:1	
85.0	83.8	81.0	78.8	76.7	500	3:1	

Required Motor kW: 0.18, 0.25, 0.37, 0.50, 0.75

For 10:1 Turndown, Self-cooled Motors

L/hr Maximum Flow at Designated Pressure

L/hr All Pumps 7 Bar	L/hr Metallic Pump Heads Only 3 Bar				Pump RPM	Gear Ratio	Motor RPM
	5.4	5.4	5.3	5.2			
5.4	5.4	5.3	5.2	N/A	25	60:1	
4.1	4.1	4.0	3.9	N/A	30	50:1	
5.1	5.1	5.1	4.8	4.7	37.5	40:1	
5.9	5.9	5.8	5.5	5.3	50	30:1	
8.3	8.3	8.1	7.8	7.6	60	25:1	
10.5	10.4	10.2	9.8	9.5	75	20:1	
14.0	13.9	13.6	13.1	12.7	100	15:1	
21.1	20.9	20.4	19.6	19.1	150	10:1	
28.2	27.9	27.1	26.2	25.5	200	7.5:1	
42.4	41.9	41.0	39.4	38.3	300	5:1	
56.8	55.9	54.6	52.5	51.1	400	3.5:1	
85.0	83.8	81.0	78.8	76.7	500	3:1	

Required Motor kW: 0.18, 0.25, 0.37, 0.50, 0.75, 1.1

P100 Specifications (Cont'd)

Performance Maximum Flow at Designated Pressure - Imperial *

All Pumps (gph)	Metallic Pump Heads Only (gph)	Pump rpm	Gear Ratio	Motor rpm
1,000 (38)	1,075 (40)	1,500 (58)	1:1.13 (41)	30
1,316 (50)	1,392 (51)	1,275 (47)	1:1.34 (52)	38
1,632 (61)	1,708 (63)	1,050 (39)	1:4.02 (124)	45
2,100 (78)	2,190 (80)	2,000 (74)	2:1.00 (30)	60
2,640 (98)	2,750 (100)	2,475 (91)	2:4.05 (124)	72
3,216 (119)	3,290 (121)	2,025 (75)	2:1.04 (30)	90
4,440 (162)	4,590 (167)	4,141 (151)	4:2.08 (63)	120
5,664 (208)	5,832 (214)	5,228 (191)	5:1.07 (33)	150
8,064 (298)	8,352 (305)	8,111 (298)	8:0.85 (25)	240
13,440 (492)	13,770 (503)	12,448 (455)	12:1.14 (36)	300
17,136 (624)	17,520 (635)	16,224 (592)	16:2.0 (51)	400
26,592 (972)	27,180 (985)	24,990 (913)	24:3.1 (72)	510

*Capacity data shown for pumps with elastomeric diaphragms. Consult factory for performance characteristics of pumps with PTFE diaphragms.

Required Motor KW

Performance Maximum Flow at Designated Pressure - Metric *

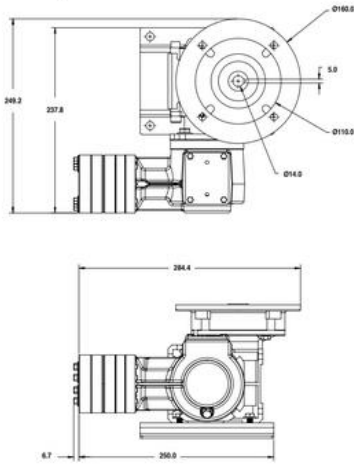
All Pumps (gpm)	Metallic Pump Heads Only (gpm)	Pump rpm	Gear Ratio	Motor rpm
3,400 (128)	3,590 (131)	3,200 (121)	3:1.00 (30)	25
4,100 (153)	4,310 (157)	3,800 (141)	3:1.75 (50)	30
5,400 (199)	5,640 (206)	4,800 (177)	4:1.00 (30)	37.5
6,910 (257)	7,170 (261)	6,400 (235)	6:1.07 (33)	45
8,330 (306)	8,540 (311)	7,800 (287)	7:5.87 (205)	60
10,470 (387)	10,780 (394)	9,750 (357)	9:2.0 (51)	75
14,020 (519)	14,380 (526)	13,100 (477)	12:1.14 (36)	100
17,136 (624)	17,520 (635)	16,224 (592)	16:2.0 (51)	150
23,220 (850)	23,670 (864)	22,020 (807)	24:3.1 (72)	200
29,808 (1,090)	30,360 (1,108)	28,320 (1,040)	24:3.1 (72)	300
42,432 (1,550)	43,080 (1,570)	39,375 (1,440)	36:3.0 (50)	400
56,832 (2,070)	57,600 (2,100)	52,500 (1,920)	48:3.0 (50)	510
85,044 (3,090)	86,400 (3,130)	78,840 (2,880)	60:3.1 (72)	600

*Capacity data shown for pumps with elastomeric diaphragms. Consult factory for performance characteristics of pumps with PTFE diaphragms.

Required Motor KW

Representative Drawings (mm)

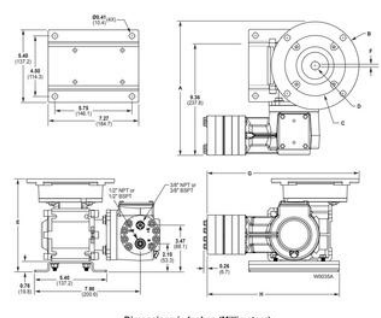
Metallic Pump Heads



P100 Version 5.11/16

P100 Dimensions

P100 Models: Metallic and Non-Metallic



Dimensions in Inches (Millimeters)

Input Frame Size	A	B	C	D	E	F	G	H
NEMA 56C	8.40 (212.2)	87.14 (2198.0)	87.14 (2198.0)	87.14 (2198.0)	87.14 (2198.0)	87.14 (2198.0)	87.14 (2198.0)	87.14 (2198.0)
IEC 63 BS	8.41 (212.2)	87.14 (2198.0)	87.14 (2198.0)	87.14 (2198.0)	87.14 (2198.0)	87.14 (2198.0)	87.14 (2198.0)	87.14 (2198.0)
IEC 71 BS	8.41 (212.2)	87.14 (2198.0)	87.14 (2198.0)	87.14 (2198.0)	87.14 (2198.0)	87.14 (2198.0)	87.14 (2198.0)	87.14 (2198.0)

Performance - Flow Capacities and Pressure Ratings

For Synchronous Speed, Self-cooled Motors

L/hr All Pumps	Metallic Pump Heads Only	Pump RPM	Gear Ratio	Motor RPM
7 Bar	17 Bar	34 Bar	69 Bar	133 Bar
5.4	3.4	3.3	N/A	25
4.1	4.0	3.0	N/A	30
5.1	5.1	4.8	4.7	37.5
6.9	6.8	6.5	6.3	45
8.3	8.3	8.1	7.8	60
10.5	10.4	10.2	9.8	75
14.0	13.9	13.6	13.1	100
21.1	20.9	20.4	19.6	150
28.2	27.9	27.5	26.2	200
42.4	41.9	41.0	39.4	300
56.8	55.9	54.8	52.5	400
85.0	83.8	81.6	78.8	600

Required Motor KW

0.18	0.25	0.37	0.51	0.75
------	------	------	------	------

For 10:1 Turn-down, Self-cooled Motors

L/hr All Pumps	Metallic Pump Heads Only	Pump RPM	Gear Ratio	Motor RPM
7 Bar	17 Bar	34 Bar	69 Bar	133 Bar
5.4	3.4	3.3	N/A	25
4.1	4.0	3.0	N/A	30
5.1	5.1	4.8	4.7	37.5
6.9	6.8	6.5	6.2	45
8.3	8.3	8.1	7.8	60
10.5	10.4	10.2	9.8	75
14.0	13.9	13.6	13.1	100
21.1	20.9	20.4	19.6	150
28.2	27.9	27.5	26.2	200
42.4	41.9	41.0	39.4	300
56.8	55.9	54.8	52.5	400
85.0	83.8	81.6	78.8	600

Required Motor KW

0.18	0.25	0.37	0.51	0.75	1.1
------	------	------	------	------	-----

P100 Specifications (Cont'd)

Performance Maximum Flow at Designated Pressure - Imperial *

All Pumps (gph)	Metallic Pump Heads Only (gph)	Pump rpm	Gear Ratio	Motor rpm
1,000 (38)	1,075 (40)	1,500 (58)	1:1.13 (41)	30
1,316 (50)	1,392 (51)	1,275 (47)	1:1.34 (52)	38
1,632 (61)	1,708 (63)	1,050 (39)	1:4.02 (124)	45
2,100 (78)	2,190 (80)	2,000 (74)	2:1.00 (30)	60
2,640 (98)	2,750 (100)	2,475 (91)	2:4.05 (124)	72
3,216 (119)	3,290 (121)	2,025 (75)	2:1.04 (30)	90
4,440 (162)	4,590 (167)	4,141 (151)	4:2.08 (63)	120
5,664 (208)	5,832 (214)	5,228 (191)	5:1.07 (33)	150
8,064 (298)	8,352 (305)	8,111 (298)	8:0.85 (25)	240
13,440 (492)	13,770 (503)	12,448 (455)	12:1.14 (36)	300
17,136 (624)	17,520 (635)	16,224 (592)	16:2.0 (51)	400
26,592 (972)	27,180 (985)	24,990 (913)	24:3.1 (72)	510

*Capacity data shown for pumps with elastomeric diaphragms. Consult factory for performance characteristics of pumps with PTFE diaphragms.

Required Motor KW

Performance Maximum Flow at Designated Pressure - Metric *

All Pumps (gpm)	Metallic Pump Heads Only (gpm)	Pump rpm	Gear Ratio	Motor rpm
3,400 (128)	3,590 (131)	3,200 (121)	3:1.00 (30)	25
4,100 (153)	4,310 (157)	3,800 (141)	3:1.75 (50)	30
5,400 (199)	5,640 (206)	4,800 (177)	4:1.00 (30)	37.5
6,910 (257)	7,170 (261)	6,400 (235)	6:1.07 (33)	45
8,330 (306)	8,540 (311)	7,800 (287)	7:5.87 (205)	60
10,470 (387)	10,780 (394)	9,750 (357)	9:2.0 (51)	75
14,020 (519)	14,380 (526)	13,100 (477)	12:1.14 (36)	100
17,136 (624)	17,520 (635)	16,224 (592)	16:2.0 (51)	150
23,220 (850)	23,670 (864)	22,020 (807)	24:3.1 (72)	200
29,808 (1,090)	30,360 (1,108)	28,320 (1,040)	24:3.1 (72)	300
42,432 (1,550)	43,080 (1,570)	39,375 (1,440)	36:3.0 (50)	400
56,832 (2,070)	57,600 (2,100)	52,500 (1,920)	48:3.0 (50)	510
85,044 (3,090)	86,400 (3,130)	78,840 (2,880)	60:3.1 (72)	600

*Capacity data shown for pumps with elastomeric diaphragms. Consult factory for performance characteristics of pumps with PTFE diaphragms.

Required Motor KW